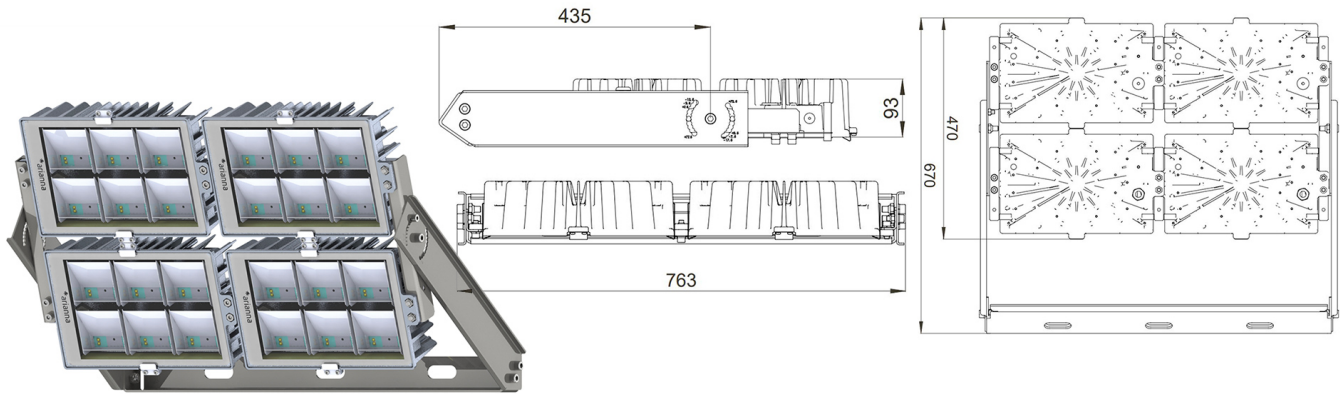


CODE: PET0592PW0301G04FY



PRODUCT FEATURES

| | |
|--|--|
| Voltage | 380÷400 V ac |
| Frequency | 50/60 Hz |
| Electrical safety class | I |
| Power supply | NIGHT REDUCTION |
| Driving current | 350 mA |
| Service environment temperature | -30° ÷ +50° C |
| Storage room temperature | -40° ÷ +80° C |
| Certifications | ENEC, CE, RoHS, EN60598-1, EN60598-2-5 |
| Surge protection | 10 kV (10 kA max) |

MECHANICAL FEATURES

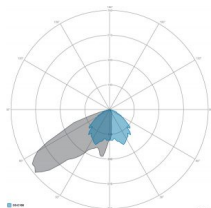
| | |
|------------------------------------|---------------------------------|
| Body | Die-cast aluminum EN AB 44300 |
| Copper content | < 0,1% |
| Total weight with driver | 28.5 Kg |
| Total weight without driver | 23.4 Kg |
| Ingress protection | IP66 |
| Shock protection | IK08 |
| Diffuser | Glass tempered extra clear 4 mm |
| External screws | A2 stainless steel |
| Cable entry | Maximum diameter 14 mm |
| Mounting | Floodlight bracket |

DRIVER FEATURES

| | |
|---------------------------------|-----------------------------|
| Power factor (full-load) | > 0,90 |
| Failure rate | < 10% at 100.000 h |
| Substitutability | External replaceable driver |
| Driver position | POLE BASE IP66 |
| Flicker factor | < 3% |

LED MODULE FEATURES

| | |
|------------------------------|-------------------------|
| LED | Ceramic based power LED |
| Module Efficiency | up to 170 lm/W |
| Color temperature | 3000 K |
| Color rendering index | > 80 |
| L90B10 | > 217.000 h |
| L90 (TM-21) | > 72.600 h |
| Optical system | Reflection optics |



OPTICS: 1-SPORT ASYMMETRICAL

| CODE | FLUX [lm] | POWER [W] | EFFICIENCY [lm/W] |
|--------------------|-----------|-----------|-------------------|
| PET0592PW0301G04FY | 50912 | 414 | 123 |

Visit www.ariannaed.com for the complete list of certified products.

Flux and power data are corresponding to typical values referring to ambient temperature (Ta) equal to 25° C or 77° F with tolerance ± 7%.

In order to facilitate continuous updating of products Arianna spa reserves the right to make changes without notice.