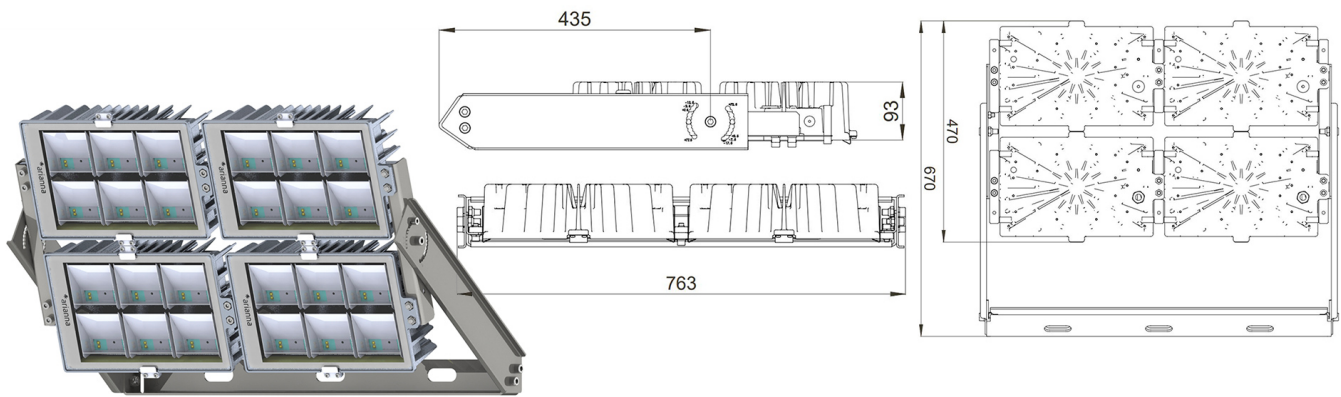


CODE: PET0913DW0306G04FX



### PRODUCT FEATURES

<b>Voltage</b>	380÷400 V ac
<b>Frequency</b>	50/60 Hz
<b>Electrical safety class</b>	I
<b>Power supply</b>	DALI
<b>Driving current</b>	700 mA
<b>Service environment temperature</b>	-30° ÷ +35° C
<b>Storage room temperature</b>	-40° ÷ +80° C
<b>Certifications</b>	ENEC, CE, RoHS, EN60598-1, EN60598-2-5
<b>Surge protection</b>	10 kV (10 kA max)

### MECHANICAL FEATURES

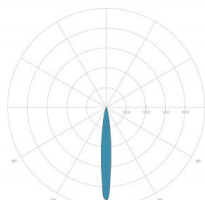
<b>Body</b>	Die-cast aluminum EN AB 44300
<b>Copper content</b>	< 0,1%
<b>Total weight with driver</b>	28.5 Kg
<b>Total weight without driver</b>	23.4 Kg
<b>Ingress protection</b>	IP66
<b>Shock protection</b>	IK08
<b>Diffuser</b>	Glass tempered extra clear 4 mm
<b>External screws</b>	A2 stainless steel
<b>Cable entry</b>	Maximum diameter 14 mm
<b>Mounting</b>	Floodlight bracket

### DRIVER FEATURES

<b>Power factor (full-load)</b>	> 0,90
<b>Failure rate</b>	< 10% at 100.000 h
<b>Substitutability</b>	External replaceable driver
<b>Driver position</b>	POLE BASE IP20
<b>Flicker factor</b>	< 3%

### LED MODULE FEATURES

<b>LED</b>	Ceramic based power LED
<b>Module Efficiency</b>	up to 170 lm/W
<b>Color temperature</b>	3000 K
<b>Color rendering index</b>	> 80
<b>L90B10</b>	> 217.000 h
<b>L90 (TM-21)</b>	> 72.600 h
<b>Optical system</b>	Reflection optics



OPTICS: 6-ROTSYMMETRICAL 10°

CODE	FLUX [lm]	POWER [W]	EFFICIENCY [lm/W]
PET0913DW0306G04FX	79464	807	98

Visit [www.ariannaled.com](http://www.ariannaled.com) for the complete list of certified products.

Flux and power data are corresponding to typical values referring to ambient temperature (Ta) equal to 25° C or 77° F with tolerance ± 7%.

In order to facilitate continuous updating of products Arianna spa reserves the right to make changes without notice.